

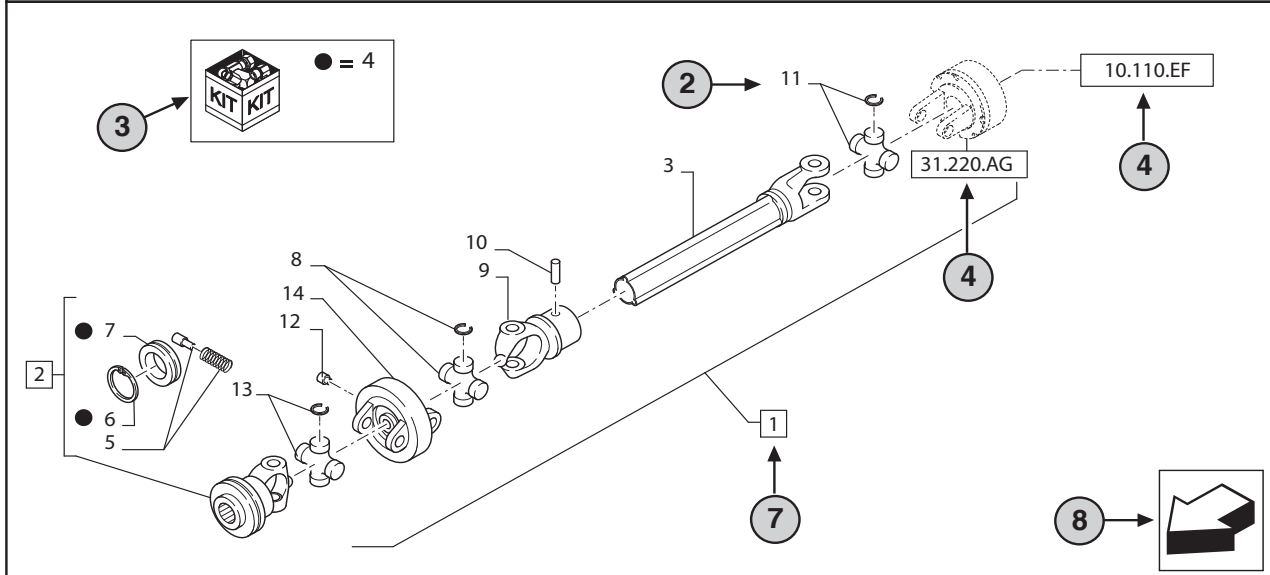
All rights reserved by **CNHi**.

The information contained in this catalogue is intended to be of a general nature only. **CNHi** may at any time and from time to time, for technical or other necessary reasons, modify any of the details or specifications of the product described in this catalogue.

To be sure of getting accurate, detailed and up-to-date information, an intending buyer should consult his nearest **CNHi** dealer or distributor.

Single item numeration method used in this catalogue may not be used without written consent from **CNHi**.

VAR - 123782, 789101,987654 - PTO - D650



STANDARD ← (6)

VAR - 123782, 789101,987654 - PTO - D650

(11) (12) (13) (14)

REF	FN	PART NUMBER	YR/SN	QTY	DESCRIPTION
1	1	86529340	(20)	1	SHAFT PTO, Incl 2 - 11
2	(15)	84014007		1	YOKE, Incl 4 -7 ← (7)
3	(16)	NSS		1	NOT SERVICED SEPARATELY, SHAFT, 350mm, Incl in 1
4		84004292		1	KIT, Seal Kit, Incl 6, 7 (17)
4		{84058743}		1	KIT, Seal Kit, Incl 6, 7
(2)	(18)	(19)	(21)	(22)	
		1 = FOR ITALY ONLY ← (5)			

MODELS ← (1)


- 1 Model Number and Model Description
- 2 Reference - Figure call-out of the part number.
- 3 Parts supplied in repair kits per symbol reference.
- 4 31.220.AD Part illustrated on the **Page** or in the **Figure** indicated, or calls for **Variations** or **Details**. Indicates components shown in detail elsewhere in the catalogue under the figure number shown.
- 5 Footnote references
- 6 Figure notes
- 7 1 2 Includes item(s) (See Description within partlist).
- 8 Orientation. (Arrow indicates front of the machine). 
- 9 Figure description.
- 10 General information of the figure.
- 11 Figure title number that aligns with the SRT. Standard Repair Time.
- 12 **Sequence** code within the assembly.
- 13 Page number within the sequence code.
- 14 **Date** of printing or updating of page (month-year).
- 15 **Note** - Relating to the Part Number. There is a key to symbols and abbreviations at the bottom of the text page.
- 16 Non-serviced parts.
- 17 Further description of the part to help confirm identification.
- 18 Not available as service part.
- 19 Part Number.
- 20 To be defined.
- 21 Total **Quantity** of the Part referred to in the page.
The quantity can be replaced by the following indications:
AR = quantity as requested.
- 22 Part **Description**.
- 23 Variant Codes

TABLE OF CONTENTS

025	ENGINE MOUNTING
026	AIR INTAKE SYSTEM
027	EXHAUST SYSTEM
028	COOLING SYSTEM
029	RADIATOR FRAME & MOUNTING
030	ENGINE BY-PASS FILTER
031	FUEL SYSTEM
032	COLD START
017	STEERING GROUP
018	PARKING BRAKE LINKAGE
019	CLUTCH LINKAGE
020	THROTTLE LINKAGE
021	TRANSMISSION LINKAGE
022	HYDRAULIC BRAKE LINKAGE
023	FLOW CONTROL LINKAGE
024	HYDRAULIC CONTROL CONSOLE
069	CONTROL
001	FRONT & REAR FRAMES
002	DRAWBAR
003	HOODS
004	LADDERS
005	CAB & GLASS
006	DOOR & WINDOW FRAMES
007	SOUNDPROOFING & MATS
008	SEAT
009	BATTERY BOX GROUP
010	CAB MOUNTING
011	AIR CONDITIONER ROOF STRUCTURE
012	BLOWER PANEL
013	AIR CONDITIONER PIPING
014	WINDSHIELD WIPER ASSEMBLY
015	ROOF ELECTRICAL GROUP
016	CONTROL PEDESTAL STRUCTURAL GROUP
062	EXTERIOR DECALS

TABLE OF CONTENTS

063	INTERIOR DECALS
071	FENDERS
033	CLUTCH
034	CLUTCH COVER PLATE ASSEMBLY
035	TRANSMISSION MOUNTING
036	TRANSMISSION COVER & SHIFTING FORKS
037	INPUT SHAFT
038	TOP COUNTERSHAFT
039	REVERSE IDLER & BOTTOM COUNTERSHAFT
040	OUTPUT SHAFT
044	DRIVELINES
045	WHEELS
046	AXLES & PLANET CARRIER
047	DIFFERENTIAL CARRIER
048	DIFFERENTIAL CARRIER, NO-SPIN
049	DIFFERENTIAL CARRIER, NO SPIN (EARLY MODEL)
059	LIGHTING UNITS
060	CAB CONSOLE CIRCUIT
061	MAIN ELECTRICAL CIRCUIT
041	PARKING BRAKE
042	HYDRAULIC BRAKE ASSEMBLY
043	MASTER BRAKE CYLINDER
050	HYDRAULIC OIL TANK MOUNTING
051	STEERING & IMPLEMENT SYSTEM
052	TRANSMISSION LUBRICATION SYSTEM
053	STEERING CYLINDERS
054	STEERING & IMPLEMENT PUMP
055	TRANSMISSION LUBRICATION PUMP
056	STEERING VALVE 5 LINE
057	IMPLEMENT VALVE
058	HYDRAULIC SYSTEM FILTERS
064	THREE POINT HITCH
065	LIFT LINK
066	TOP LINK

TABLE OF CONTENTS

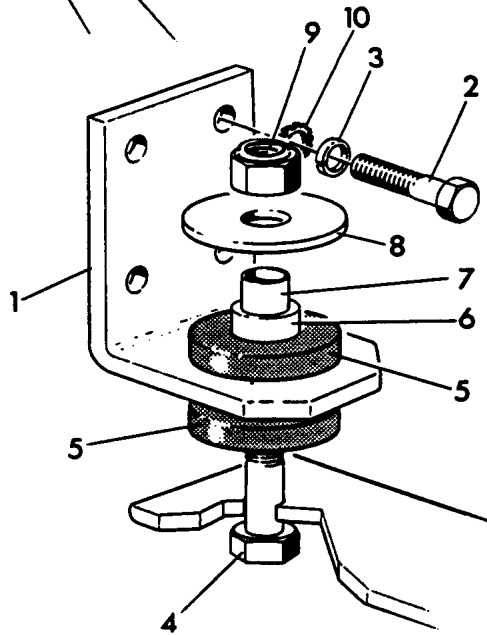
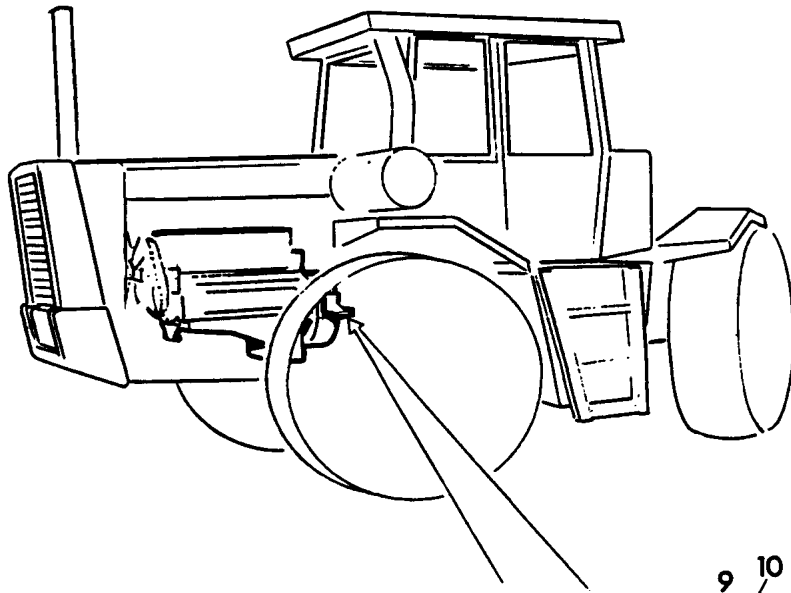
067	HYDRAULIC CIRCUIT
068	CYLINDER
070	DEPTH CONTROL VALVE

SECTION INDEX

Engine Systems

025	ENGINE MOUNTING
026	AIR INTAKE SYSTEM
027	EXHAUST SYSTEM
028	COOLING SYSTEM
029	RADIATOR FRAME & MOUNTING
030	ENGINE BY-PASS FILTER
031	FUEL SYSTEM
032	COLD START

ENGINE MOUNTING

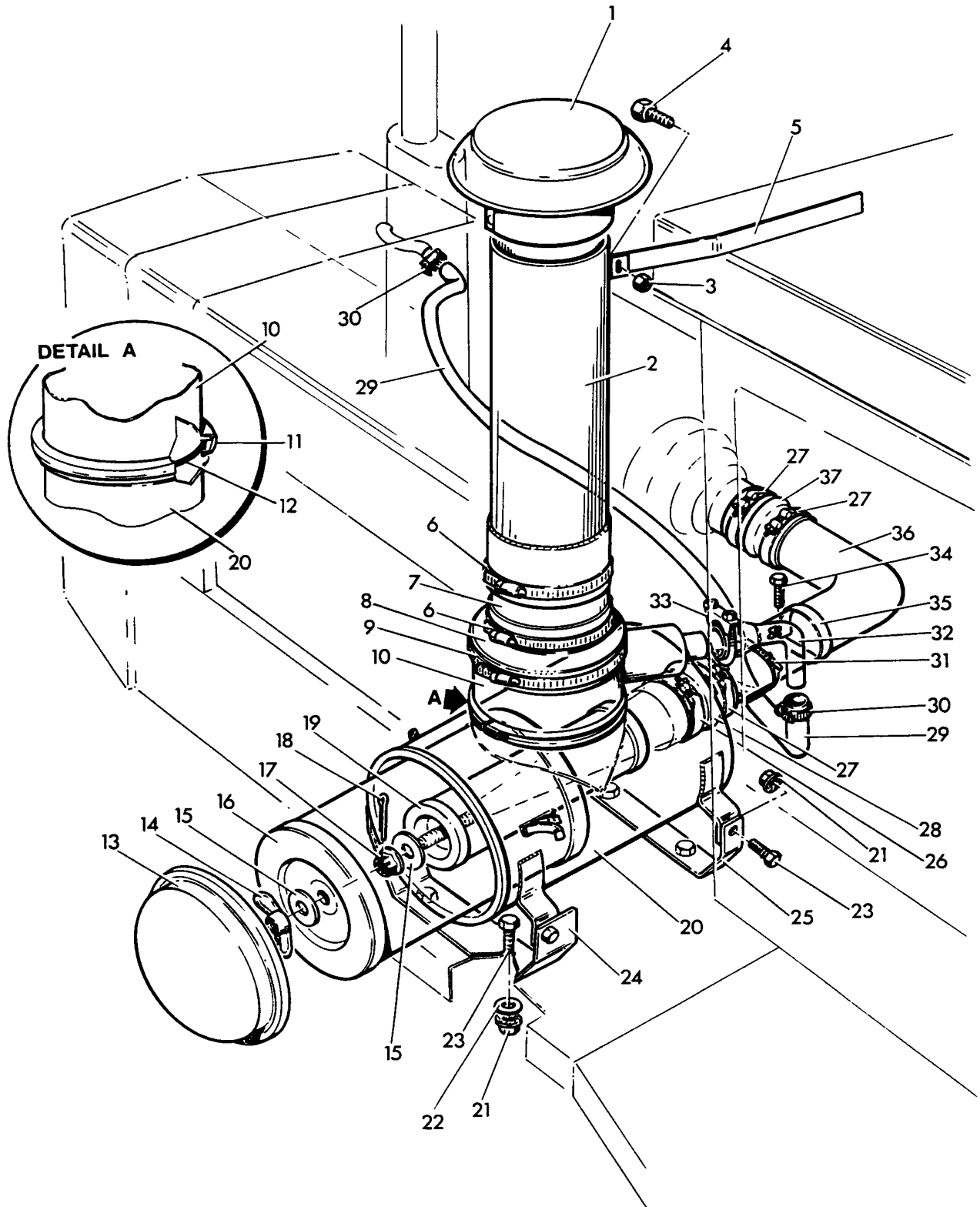


ENGINE MOUNTING

REF FN	PART NUMBER	YR/SN	QTY DESCRIPTION
1	V29881		2 BRACKET Motor Mount, Rear
2	9627896		8 BOLT Hex, 5/8" - 11 x 1-3/4", Gr 5 Screw, Cap, HH, G5, 5/8"-11 x 1-3/4"
3	86729275		6 LOCK WASHER 5/8" ID x 0.634" OD x .156" Thk CST ZND Washer, Lock, 5/8"
4	88747		2 BOLT Hex, 3/4" - 10 x 3 1/4", Gr 5 Screw, Cap, HH, G5, 3/4"-10 x 3-1/4"
5	V29757		4 ISOLATOR Engine
6	86978294		2 SLEEVE Isolator, Sleeve
7	V29759		2 SPACER 1.52 Lg.
8	86050249		2 WASHER 3/4", Mounting Pad
9	280375		2 NUT 3/4" - 10, Gr C Nut, Lock, GC, 3/4"-10
10	86977690		2 LOCK WASHER Ext Tooth, 5/8" WASHER, LOCK, Ext Tooth, 5/8"

850V-VERSATILE SERIES-2 4WD TRACTOR - 1976:

AIR INTAKE SYSTEM

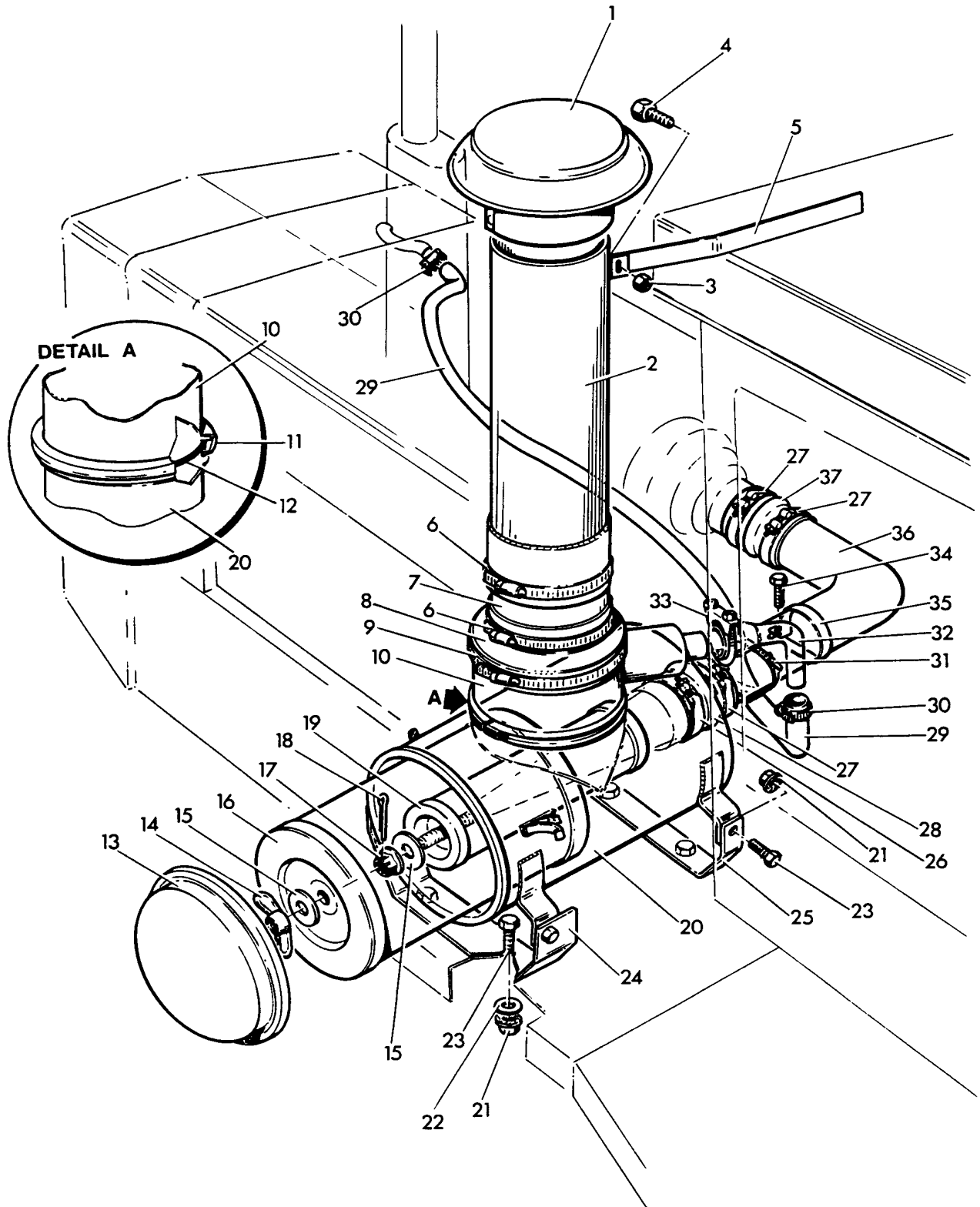


AIR INTAKE SYSTEM

REF FN	PART NUMBER	YR/SN	QTY DESCRIPTION
1	V32375		1 CAP Hood, Air Inlet
2	V32378		1 RIGID TUBE Tube, Intak, Welded Assy.
3	523282		1 SERRATED NUT Flg, USR, 1/4" - 20
4	523292		1 BOLT 1/4" - 20 x 1.03" OAL Screw, Cap, Flg, USR, 1/4"-20 x 3/4"
5	V32381		1 BRACKET Support
6	V32383		2 CLAMP Hose
7	V32376		1 TUBE Support
8	V31184		1 ADAPTER Intake Tube
9	V31204		1 CLAMP Hose
	V30915		AR AIR CLEANER Assy., Includes: Ref. 10 thru 20
10	V31442		1 BODY Assy., Precleaner
11	9672321		1 CLAMP Assy.
12	143648		1 O-RING 10.63" ID x 0.27" Width 10.620" ID x .270" Thk
	NSS		1 NOT SOLD SEPARAT Air Cleaner, Includes: Ref. 13 thru 20
13	V31247		1 COVER Assy.
14	V30928		1 WING NUT Nut, Wing
15	703404		2 GASKET Washer, Gasket
16	V30924		1 AIR FILTER Element, Primary
17	703405		1 NUT Slotted
18	87395		1 COTTER PIN 1/8" OD x 1-1/4" OAL PIN, SPLIT (COTTER), 1/8" x 1-1/4"
19	V30927		1 AIR FILTER Element, Safety
20	1 NSS		1 NOT SOLD SEPARAT Body, Air Cleaner
21	247780		8 SERRATED NUT Flg, USR, 3/8" - 16 Nut, Flg, USR, 3/8"-16
22	V12677P		4 WASHER 3/8"
23	88206		8 BOLT Hex, 3/8" - 16 x 1", Gr 5
24	V31444		1 BRACKET Air Cleaner, L.H.
(1)	V31448		

850V-VERSATILE SERIES-2 4WD TRACTOR - 1976:

AIR INTAKE SYSTEM

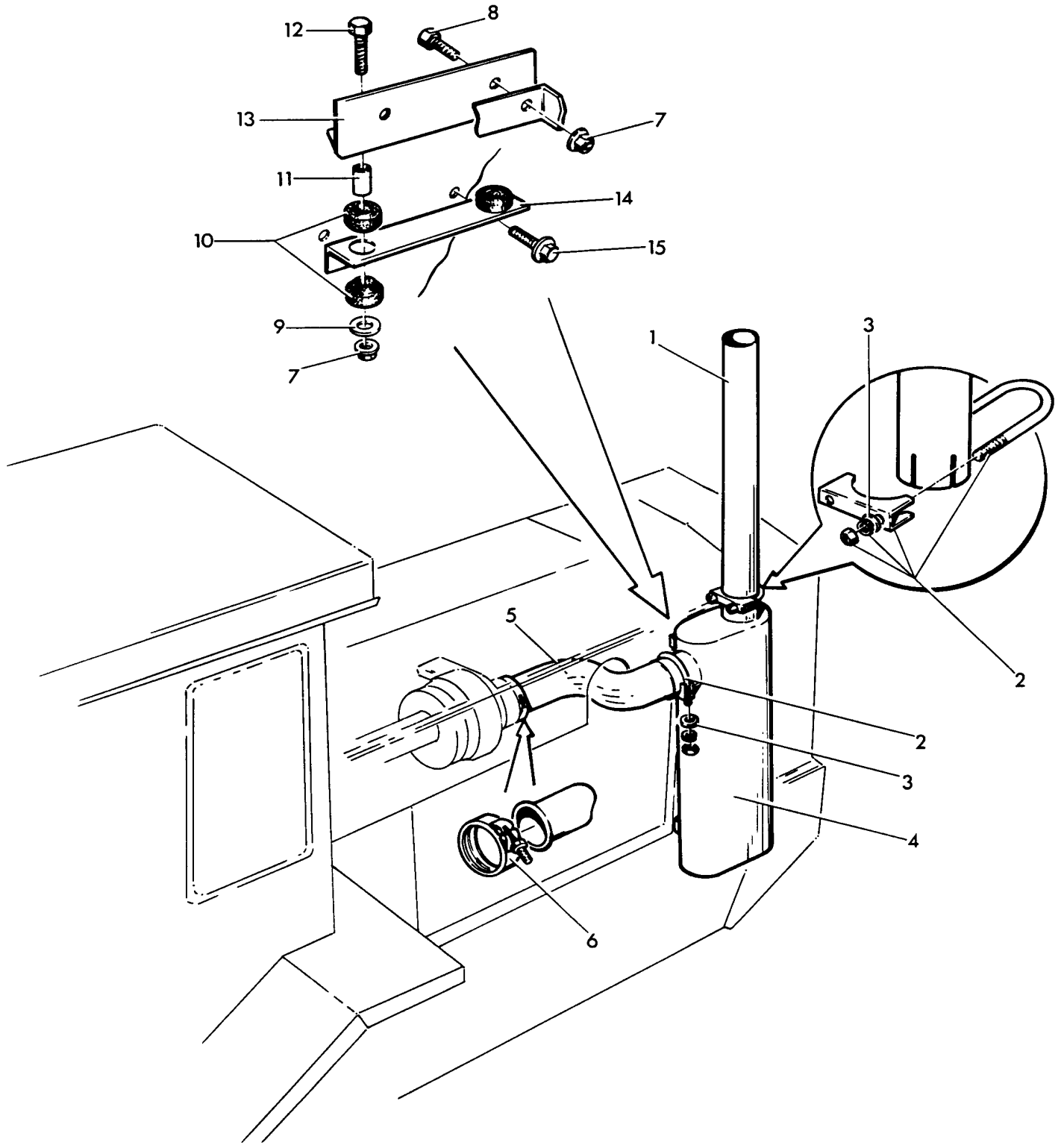


AIR INTAKE SYSTEM

REF FN	PART NUMBER	YR/SN	QTY DESCRIPTION
25	V31443		1 BRACKET Air Cleaner, R.H.
26	V22165		1 CLAMP Hose T-Bar Type
27	V17467		3 CLAMP Hose T-Bar Type
28	V31203		1 HOSE Hump Reducer
29	V31234		1 FLEXIBLE HOSE Hose, Suction
30	82012725		2 HOSE CLAMP #44, M32-44 CLAMP, HOSE, #44, M32-44
31	851710		1 BAND Strap, Tie
32	V31439		1 TUBE
33	861255		1 CLAMP Muffler
34	88546		1 BOLT Hex, 3/8" - 16 x 2 1/4", Gr 5 Screw, Cap, HH, G5, 3/8"-16 x 2-1/4"
35	V27047		1 CLAMP Intake Tube
36	V27001		1 TUBE Intake
37	V18990		1 FLEXIBLE HOSE Hose, Hump

850V-VERSATILE SERIES-2 4WD TRACTOR - 1976:

EXHAUST SYSTEM

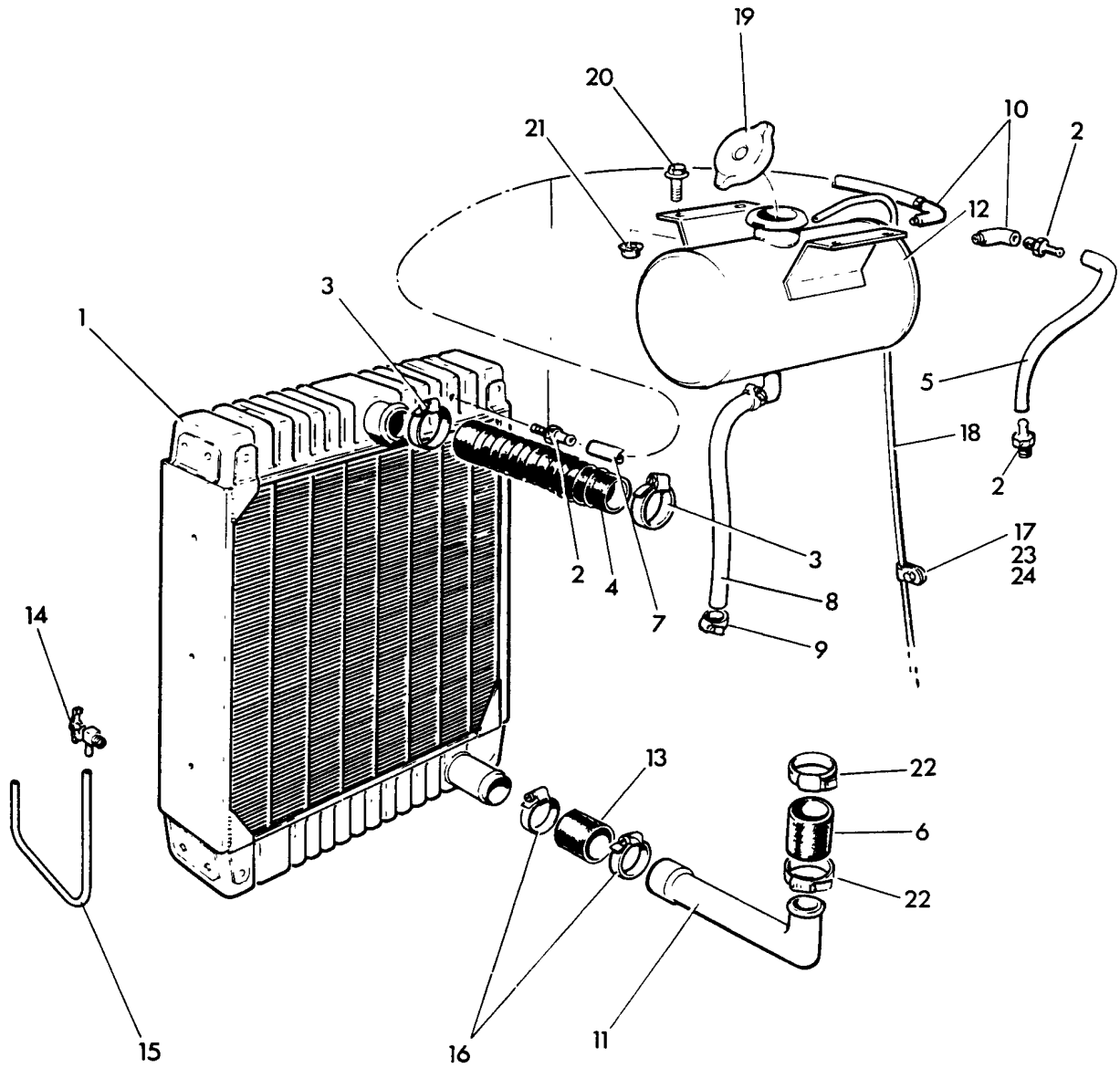


EXHAUST SYSTEM

REF FN	PART NUMBER	YR/SN	QTY DESCRIPTION
	V30442		AR SPARE PART Exhaust Stack Assy., Includes: Ref. 1 thru 3
1	V27046		1 EXHAUST SYSTEM PIPE Stack, Pipe Muffler
2	V18827		2 CLAMP 5" Exhaust
3	80702		4 WASHER 0.44" ID x 1" OD x 0.08" Thk
4	V108431		1 MUFFLER Aspirating
5	V25663		1 EXHAUST SYSTEM PIPE Exhaust, Pipe
6	V16845		1 CLAMP Marman, 5"
7	247780		8 SERRATED NUT Flg, USR, 3/8" - 16 Nut, Flg, USR, 3/8"-16
8	88044		4 BOLT Hex, 3/8" - 16 x 1-1/2", Gr 5 Screw, Cap, HH, G5, 3/8"-16 x 1-1/2"
9	86505938		4 WASHER 3/8"
10	V15578		8 RUBBER BUSHING Bushing, Rubber
11	V18407		4 SPACER
12	88044		4 BOLT Hex, 3/8" - 16 x 1-1/2", Gr 5 Screw, Cap, HH, G5, 3/8"-16 x 1-1/2"
13	86514853		2 BRACKET Muffler Mounting
14	V31087		2 BRACKET Angle, Muffler Mounting
15	255918		4 BOLT Hex Serr, 3/8" - 16 x 3/4", 5SPL, Full Thd Screw, Cap, Flg Hd, USR, 3/8"-16 x 3/4"

850V-VERSATILE SERIES-2 4WD TRACTOR - 1976:

COOLING SYSTEM

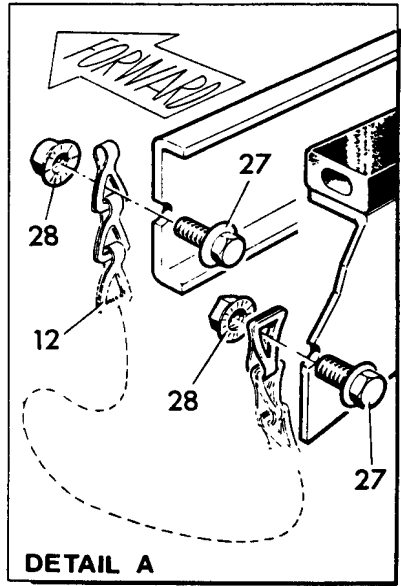
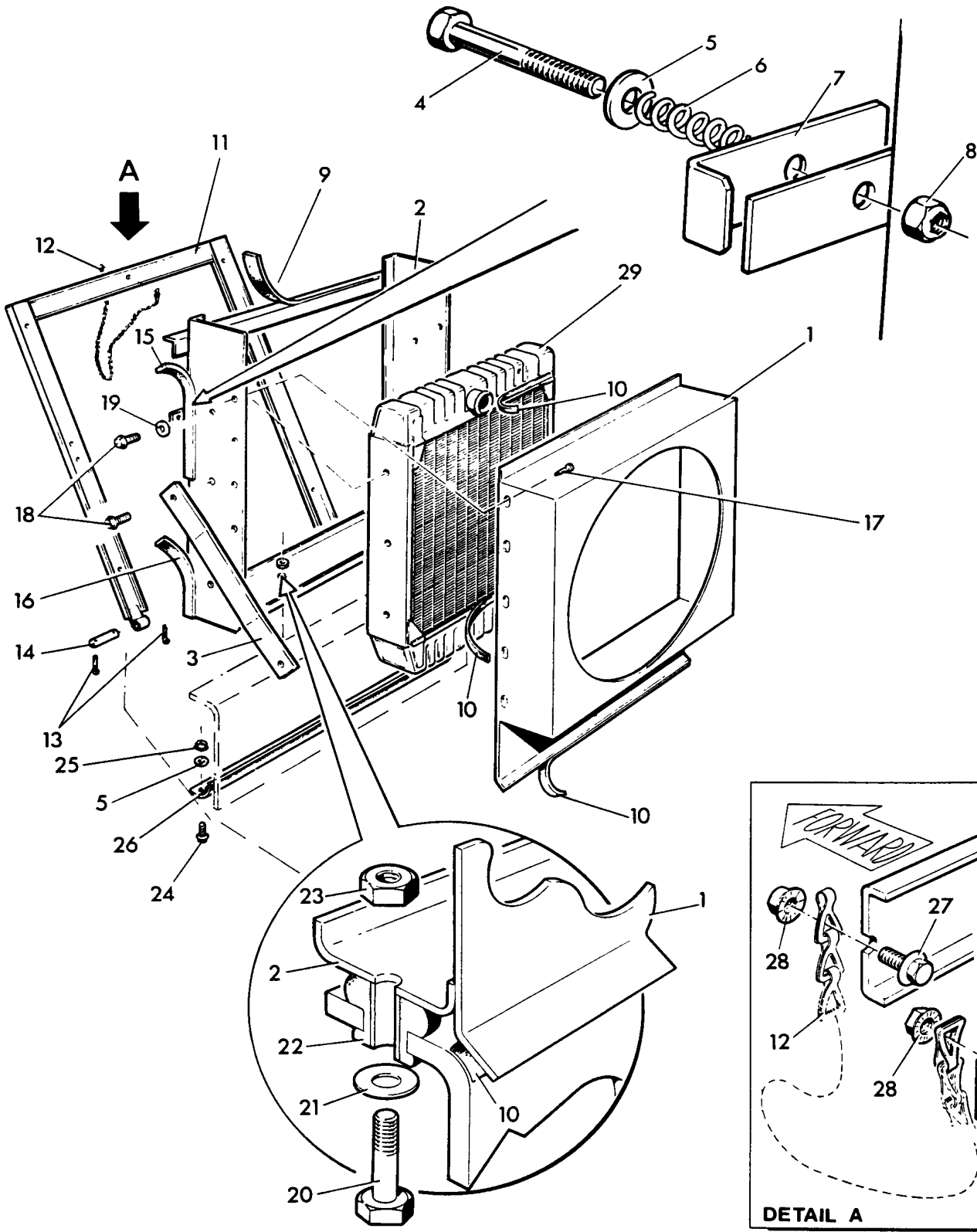


COOLING SYSTEM

REF FN	PART NUMBER	YR/SN	QTY DESCRIPTION
1	V29723		1 RADIATOR
2	V6982		6 INSERT Hose, 1/8" NPT
3	82012728		6 COLLAR 50mm - 65mm, Worm Gear CLAMP, HOSE, , Hex Socket #40, 2.06/3.00 Type F Worm
4	V18041		2 FLEXIBLE HOSE Hose, Radiator Inlet
5	V19257		1 HOSE Surge Tank Return, 29" x 1/4"
6	V19256		1 HOSE Surge Tank Return, 26" x 1/4"
7	V30174		1 FLEXIBLE HOSE Hose, Radiator Bleeder, 22"
8	V29360		1 HOSE Surge Tank, 1" x 44"
9	514920		2 HOSE CLAMP 20.6mm - 38.1mm, Worm Gear
10	V291117V1		2 ELBOW Street, 1/8", 90 NPT
11	V609T130		1 HYD CONNECTOR Nipple, Half, 3/4" NPT
12	V29359		1 TANK Surge
13	V18040		1 FLEXIBLE HOSE Hose, Outlet, 8-1/2"
14	9672304		1 DRAINCOCK/TAP SUPPLY Valve, Radiator Drain
15	V19254		1 FLEXIBLE HOSE Hose, Radiator Drain
16	9670585		3 CLIP Clamp, Hose
17	88542		3 BOLT Hex, 1/4"-20 x 1/2", Gr 5 Screw, Cap, HH, G5, 1/4"-20 x 1/2"
18	V19254		1 FLEXIBLE HOSE Hose, Overflow
19	76896		1 RADIATOR CAP Cap, Radiator, 7 lbs.
20	255918		4 BOLT Hex Serr, 3/8" - 16 x 3/4", 5SPL, Full Thd Screw, Cap, Flg Hd, USR, 3/8"-16 x 3/4"
21	247780		4 SERRATED NUT Flg, USR, 3/8" - 16 Nut, Flg, USR, 3/8"-16

850V-VERSATILE SERIES-2 4WD TRACTOR - 1976:

RADIATOR FRAME & MOUNTING



RADIATOR FRAME & MOUNTING

REF FN	PART NUMBER	YR/SN	QTY DESCRIPTION
1	V30386		1 SHROUD Fan, Shroud
2	V29364		1 FRAME Radiator
3	V30399		2 SUPPORT Brace, Radiator Frame
4	87404		2 BOLT Hex, 1/4" - 20 x 2", Gr 5 Cap, HH, G5, 1/4"-20 x 2"
5	V12590P		6 WASHER 9/32"
6	V361310V1		2 SPRING Compression, 1/2" x 2"
7	V30044		2 LATCH Coolers
8	V12108		5 LOCK NUT Nut, Lock, G5, 1/4"-20
9	V30176		1 SEAL Radiator Frame, Upper, 32"
10	V30394		3 SEAL PROTECTION Weatherstrip
11	V29693		1 FRAME Cooler
12	V8894001		1 CHAIN Bulk Pkg
13	80755		4 COTTER PIN 1/8" OD x 1" L PIN, SPLIT (COTTER), 1/8" x 1" L
14	V30143		2 PIN Hinge
15	V30396		2 SEAL Radiator Frame, Center, 31-7/10"
16	V30389		2 SEAL Radiator Frame, Lower, 8-1/20"
17	86015586		10 SELF-TAP SCREW Screw, Self-Tapping, HH, #12 x 5/8"
18	255918		6 BOLT Hex Serr, 3/8" - 16 x 3/4", 5SPL, Full Thd Screw, Cap, Flg Hd, USR, 3/8"-16 x 3/4"
19	1 NSS		4 NOT SOLD SEPARAT Washer, 3/8" x 3/4"
20	9706716		2 BOLT Hex, 1/2" - 13 x 2", Gr 5 Screw, Cap, HH, G5, 1/2"-13 x 2"
21	9672283		2 WASHER 1/2" x 1-5/8", 13 Gauge
22	9672308		2 ISOLATOR Radiator
23	88871		2 NUT 1/2" - 13, Gr C Nut, Lock, GC, 1/2"-13
(1)	V320420V1		

850V-VERSATILE SERIES-2 4WD TRACTOR - 1976:

**Thanks very much for your reading,
Want to get more information,
Please click here, Then get the complete
manual**

JustClickHere 

NOTE:

**If there is no response to click on the link above,
please download the PDF document first, and then
click on it.**

**Have any questions please write to me:
admin@servicemanualperfect.com**